



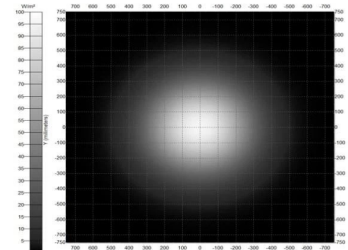
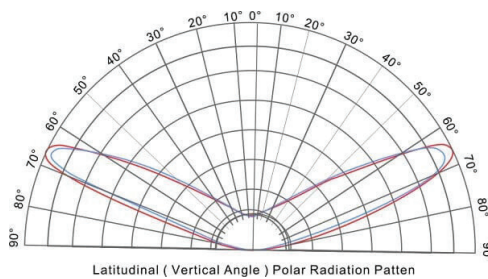
FEATURES

- Brand LED, 12VDC constant current, ABS injection;
- High brightness and excellent color uniformity;
- High heat conductivity aluminum PCB, 3M tape;
- Fireproof/UL94V-O, waterproof/IP65;
- 4years warranty, life span 35000Hrs;
- 20pcs one chain.

Bestfor 60mm-200mm Depth/ Light box&Channel letters

MAIN PARAMETERS

- Epistar LED 2835
- High Efficacy LED
- Excellent Color Uniformity
- 1.08watts per module
- 96Lm per module
- 160° Optical lens, beautiful shape

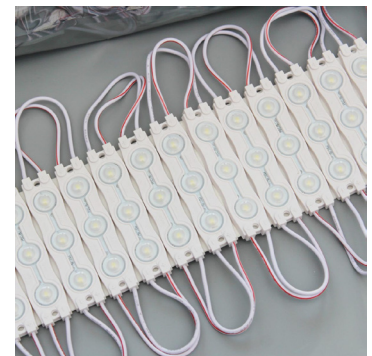
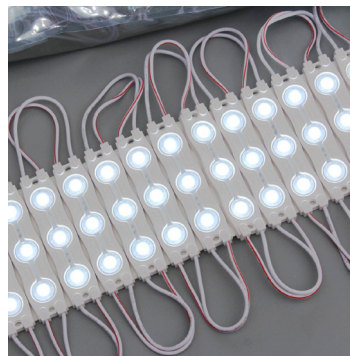
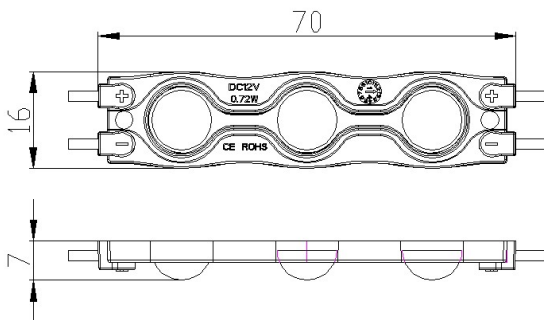


Light Distribution Curve

Light Spot Pattern

DRAWING

Unit: mm



ORDER INFO.

Model : MFW148D1

Wattage : 1.08

Voltage : 12

Lumens/m&color : 96Lm

IP : 65

