

# SMART SWITCH



## SL-M8-ZT / SL-M8-3K-ZT

Home smart Zigbee Push Button Power Switch remote-control  
Tuya IOT light Device

### Features

<b>Max. Current</b>	:	3A
<b>Max. Voltage</b>	:	240V
<b>Customized support</b>	:	icon
<b>Network</b>	:	zigbee
<b>Mechanical Life</b>	:	10years
<b>Type</b>	:	wall switch
<b>Rated Power</b>	:	50Hz
<b>Rated Voltage</b>	:	240V~
<b>Product size</b>	:	86*86*35mm
<b>Relative humidity</b>	:	≤95%RH
<b>Maximum load</b>	:	Total 1320W
<b>Color</b>	:	Black, Blue , Golden, Grey
<b>Power supply mode</b>	:	Neutral + live wire
<b>Operation Temperature</b>	:	0~+40°

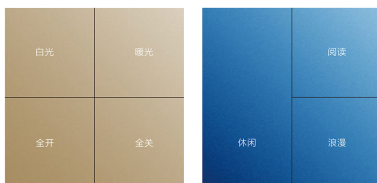


### Color



Grey

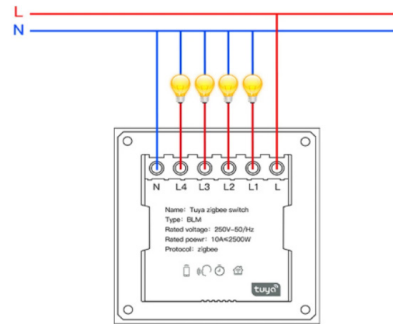
Black



Gold

Blue

### Drawing : mm.



### Product Size

