

SL-MP-4gang-Scene

Product features

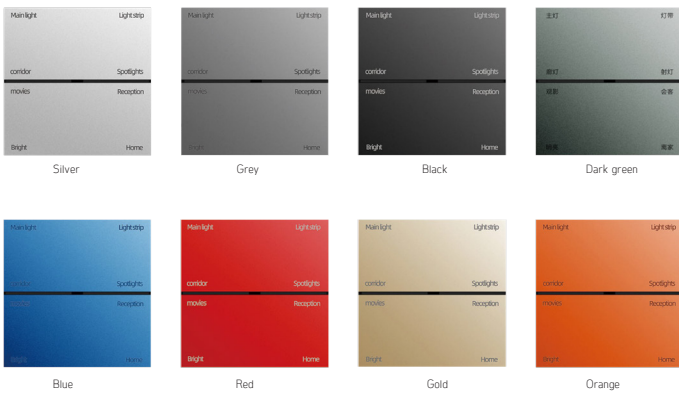
Intelligent/non intelligent lighting fixtures can be operated through switches, remote control, and timing. It can be synchronized through apps, voice, and other methods. Customizable button functions.

Features

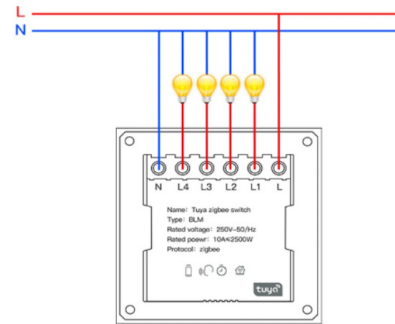
Load power	:	Relay 5A
Surface process	:	Aluminum
Product specification	:	86X86mm
Wiring method	:	L+N, with neutral line
Input voltage	:	110~250V~50/60Hz
Control methods	:	Capacitive touch, APP, smart speaker
Communication protocol	:	WiFi/Zigbee/Bluetooth Mesh
Intelligent voice	:	Paired with an intelligent speaker, it can voice control the entire house lighting



Color



Drawing : mm.



Product Size

