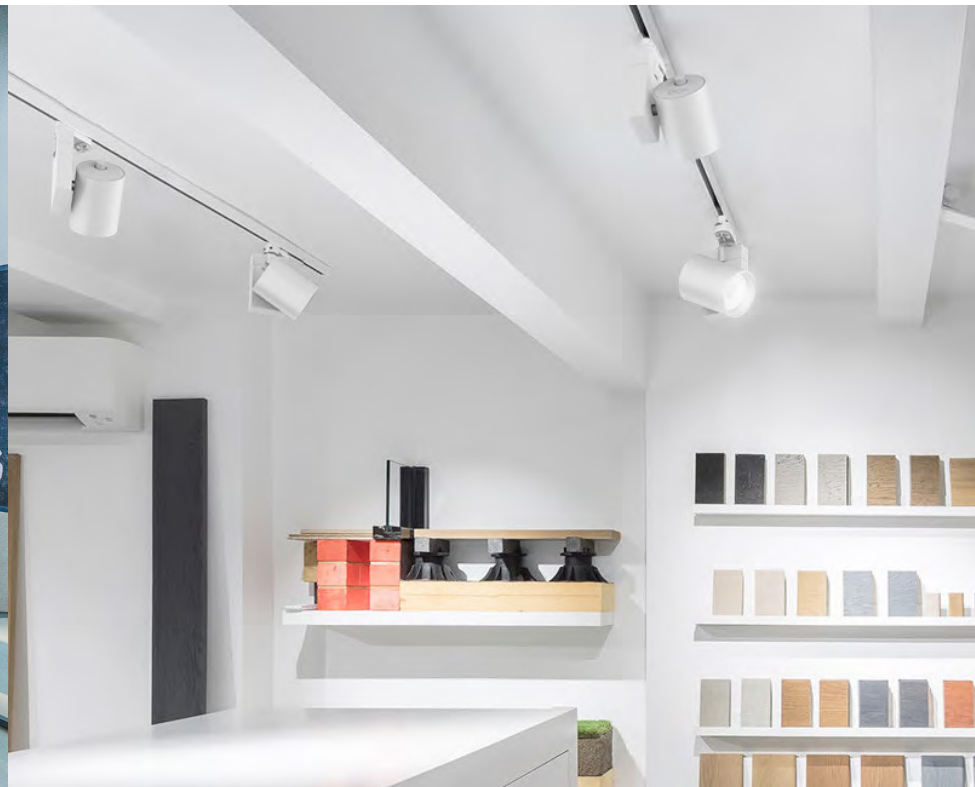




SL-TL78





Introduction

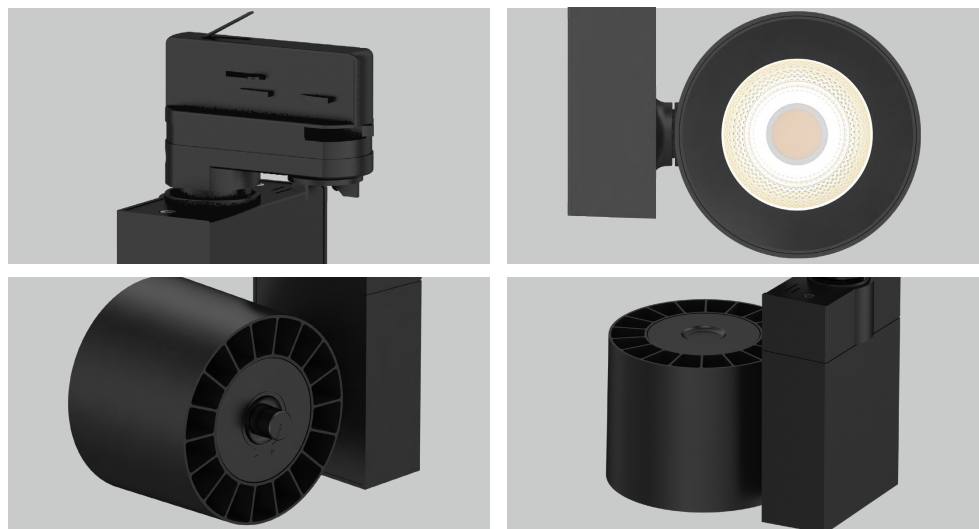
This track light adopts Citizen COB LED chip with excellent RA to increase the color fidelity of the target illuminated object. AL6063 aluminium housing provides excellent heat dissipation. Adjustable lighting orientation with 355° in horizontal direction and 180° in vertical direction. Dimming button on the bottom of the track light, can do DALI or 0-10V dimming way.

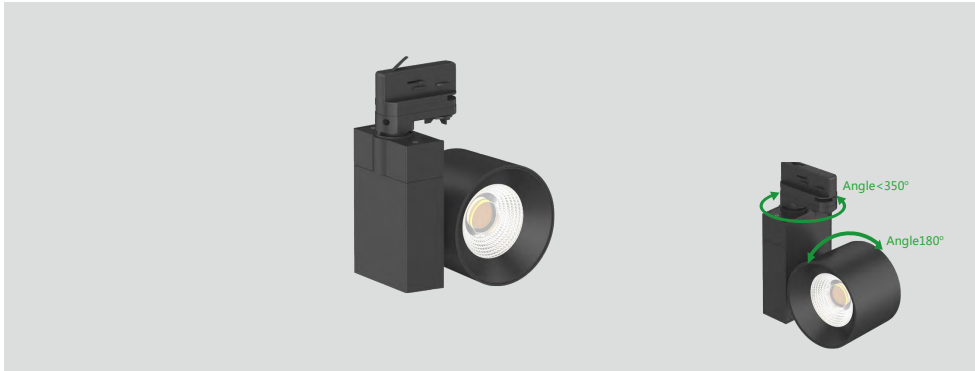
Features

- Branded Citizen COB light source.
- High lumen efficiency, 100lm/W.
- Adjustable lighting orientation with 355° in horizontal direction and 180° in vertical direction.
- Multiple beam angle option: 15°/ 24°/ 36°/ 60°.
- Flicker free driver.
- DALI/ 0-10V Dimming way.

Application Areas

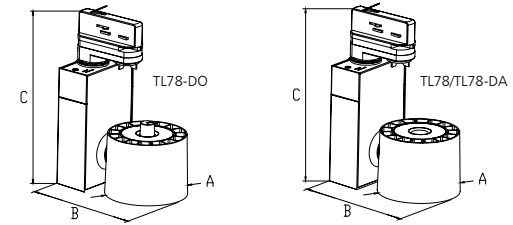
It is suitable for supermarket, specialty store, show window, exhibition hall; focus lighting, decorative and background lighting, where attention is focused on subjects to emphasize special visual points





Technical Data Sheet

Code No.	TL78-10W	TL78-20W	TL78-30W	TL78-40W	TL78-10W-D0	TL78-20W-D0	TL78-30W-D0	TL78-40W-D0	TL78-10W-DA	TL78-20W-DA	TL78-30W-DA	TL78-40W-DA
Dimension(mm)	Ø75*179	Ø95*179	Ø115*201		Ø75*179	Ø95*179	Ø115*201		Ø75*201	Ø95*201	Ø115*201	
Cutout (mm)	-											
Watt(W)	10W	20W	30W	40W	10W	20W	30W	40W	10W	20W	30W	40W
Rated Input Voltage(V)	AC230V											
Input Voltage(V)	AC200-240V											
LED Module Input	-											
Light Source	COB											
SDCM	<6 (@2700K 3000K 4000K 5000K)											
CCT(K)	1-CCT: 2700K/3000K/4000K/5000K											
CCT Selection DIP Switch	-											
Luminous Flux (lm) ±5%	Non-DIM	900-1100	1800-2200	2700-3300	3500-4400							
	0-10V					900-1100	1800-2200	2700-3300	3500-4400			
	DALI									900-1100	1800-2200	2700-3300
CRI	80											
Beam Angle (°)	15°/ 24°/ 36°/ 60°											
UGR	-											
LED Driver	Built-in											
Dimming Option	DALI/ 0-10V											
Sensor	NO											
Emergency Kits	NO											
Electrical Class	Class I											
Ingress Protection (IP Rating)	IP20											
Impact Resistance (IK Rating)	IK06											
Product Finishing(Base)	Black RAL 9005											
Materials of Optics	PMMA											
Materials of Housing	ADC12											
Lifetime (hr)	50,000h @ L70B50											
Glow wire test (°C)	850°C (Cover)											
Operating Temp. (°C)	-20°C ~40°C											
Storage Temp. (°C)	-20°C ~65°C											
Installation	Track											



Measurement

Code	Dimension(mm)			Size(mm)	Product Weight (Kg)		Package weight (Kg)		Carton Size(cm)	Qty/CTN	20GP (pcs)	40HQ (pcs)
	A	B	C		N.W/PC	G.W/PC	N.W/CTN	G.W/CTN				
TL78-10W	Ø75	120	179	Ø75*179	0.43	0.55	6.6	7.3	51*32.5*35.5	12pcs	5964	13608
TL78-20W	Ø95	140	179	Ø95*179	0.54	0.68	8.2	9	51*37.5*38.5	12pcs	4896	10080
TL78-30W	Ø115	164.5	201	Ø115*201	0.825	0.99	11.9	13	50*41.5*47.5	12pcs	3360	7560
TL78-40W	Ø115	164.5	201	Ø115*201	0.83	1	12	13.1	50*41.5*47.5	12pcs	3360	7560
TL78-10W-D0	Ø75	120	179	Ø75*179	0.43	0.55	6.6	7.3	51*32.5*35.5	12pcs	5964	13608
TL78-20W-D0	Ø95	140	179	Ø95*179	0.54	0.68	8.2	9	51*37.5*38.5	12pcs	4896	10080
TL78-30W-D0	Ø115	164.5	201	Ø115*201	0.825	0.99	11.9	13	50*41.5*47.5	12pcs	3360	7560
TL78-40W-D0	Ø115	164.5	201	Ø115*201	0.83	1	12	13.1	50*41.5*47.5	12pcs	3360	7560
TL78-10W-DA	Ø75	124.5	196	Ø75*196	0.505	0.63	7.5	8.2	51*32.5*35.5	12pcs	5964	13608
TL78-20W-DA	Ø95	144.5	196	Ø95*196	0.63	0.77	9.2	10	51*37.5*38.5	12pcs	4896	10080
TL78-30W-DA	Ø115	164.5	196	Ø115*196	0.865	1.03	12.4	13.5	50*41.5*47.5	12pcs	3360	7560
TL78-40W-DA	Ø115	164.5	196	Ø115*196	0.89	1.06	12.7	13.8	50*41.5*47.5	12pcs	3360	7560

Driver Datasheet (Non-Dimmable)

Total load wattage		10W	20W	30W	40W
Output	Output Voltage range	DC30-40V			
	Rated output current	250mA	500mA	750mA	1000mA
	Line Regulation	±5%			
	Setup, Rise Time	<0.5S			
	Flickering Index	0.8%(NO RISK)		0.5%(NO RISK)	
Input	Input Voltage	AC220-240V			
	Rated Input Voltage(V)	AC230V			
	Frequency	50/60Hz			
	Input Current	≤0.06A	≤0.13A	≤0.17A	≤0.23A
	Rated Input Current	≤0.05A	≤0.12A	≤0.15A	≤0.2A
	Power Factor	0.9			
	THD	<20% @230V			
	Efficiency	≥86%			≥88%
Protection	No load wattage	<0.5W			
	Short circuit protection	Pass			
	Over voltage protection	Pass			
	Over temperature protection	Pass			
Safety & EMC	Withstand voltage	I/P-O/P:3.75KVac, <5mA 60S; I/P-FG:1.6KVac, <5mA 60S; O/P-FG:0.5KVac, <5mA 60S			
	Isolation Resistance	I/P-O/P: 500VDC, ≥100M Ω			
	Surge	IEC/EN61000-4-5 (P<25W L-N:0.5KV, L/N-PE:1KV)		IEC/EN61000-4-5 (P≥25W L-N:1KV, L/N-PE:2KV)	
	EMC Emission	EN55015, EN61000-3-2, EN61000-3-3 GB/T17743, GB17625.1, GB17625.2			
	EMC Immunity	EN61000-4-2,3,4,5,6,11 GB/T17626.2,3,4,5,6,11			

Driver Datasheet (DALI Dimmable)

Total load wattage		10W	20W	30W	40W
Output	Output Voltage range	DC7.5-54V		DC12-54V	
	Rated output current	250mA	500mA	750mA	1000mA
	Line Regulation	±5%			
	Setup, Rise Time	<15			
	Flickering Index	1.2%	1.5%	2.1%	1.8%
Input	Input Voltage	AC198-264V			
	Rated Input Voltage(V)	AC220V-240V			
	Frequency	50/60Hz			
	Input Current	0.06A	0.12A	0.17A	0.23A
	Rated Input Current	0.06A	0.11A	0.16A	0.21A
	Power Factor	0.9			
	THD	<10% @230V			
	Efficiency	86%		87%	89%
	No load wattage	<0.5W			
	Short circuit protection	Pass			
Protection	Over voltage protection	Pass			
	Over temperature protection	Pass			
	Withstand voltage	I/P-O/P:3.75KVac, <5mA 60S; I/P-FG:1.6KVac, <5mA 60S; O/P-FG:0.5KVac, <5mA 60S			
Safety & EMC	Isolation Resistance	I/P-O/P: 500VDC, ≥100M Ω			
	Surge	IEC/EN61000-4-5 (P<25W L-N:0.5KV, L/N-PE:1KV)		IEC/EN61000-4-5 (P≥25W L-N:1KV, L/N-PE:2KV)	
	EMC Emission	EN55015, EN61000-3-2, EN61000-3-3 GB/T17743, GB17625.1, GB17625.2			
	EMC Immunity	EN61000-4-2,3,4,5,6,11 GB/T17626.2,3,4,5,6,11			

Driver Datasheet (0-10V Dimmable)

Total load wattage		10W	20W	30W	40W	
Output	Output Voltage range	DC30-40V				
	Rated output current	230mA	500mA	750mA	1000mA	
	Line Regulation	±5%				
	Setup, Rise Time	<0.5S@230V				
	Flickering Index	No RISK				
Input	Input Voltage	AC198-264V				
	Rated Input Voltage(V)	AC220V-240V				
	Frequency	50/60Hz				
	Input Current	0.06A	0.12A	0.17A	0.21A	
	Rated Input Current	0.05A	0.11A	0.15A	0.19A	
	Power Factor	0.9				
	THD	<20% @230V				
	Efficiency	≥83%	≥85%	≥86%		
	No load wattage	<0.5W		<1W		
	Protection	Short circuit protection	Pass			
Over voltage protection		Pass				
Over temperature protection		Pass				
Safety & EMC	Withstand voltage	I/P-O/P:3.75KVac, <5mA 60S; I/P-FG:1.6KVac, <5mA 60S; O/P-FG:0.5KVac, <5mA 60S				
	Isolation Resistance	I/P-O/P: 500VDC, ≥100M Ω				
	Surge	IEC/EN61000-4-5 (P<25W L-N:0.5KV, L/N-PE:1KV)		IEC/EN61000-4-5 (P≥25W L-N:1KV, L/N-PE:2KV)		
	EMC Emission	EN55015, EN61000-3-2, EN61000-3-3 GB/T17743, GB17625.1, GB17625.2				
EMC Immunity	EN61000-4-2,3,4,5,6,11 GB/T17626.2,3,4,5,6,11					

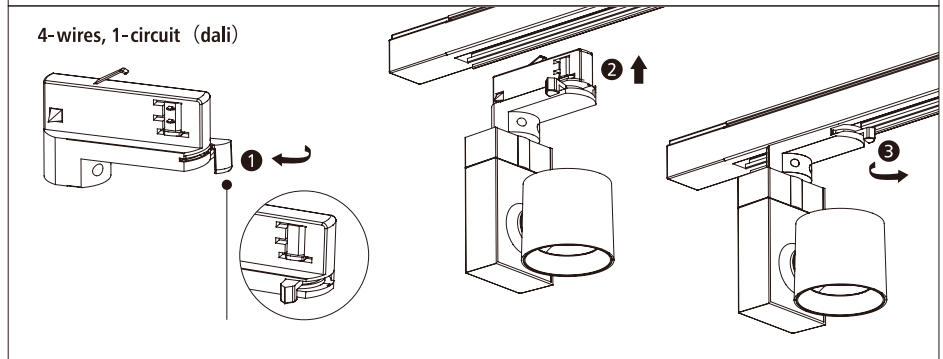
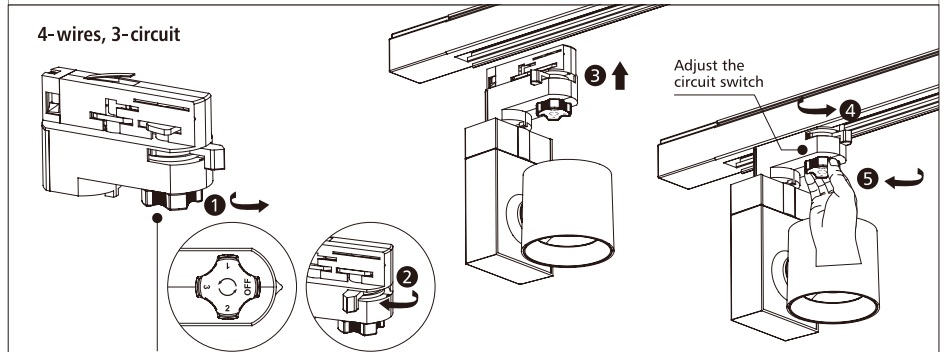
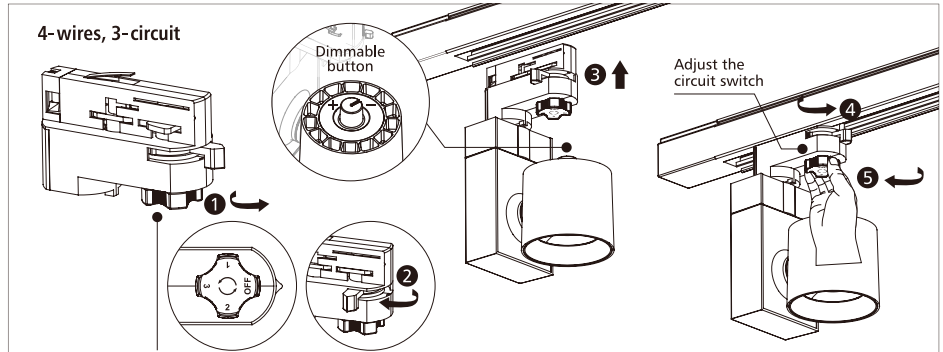
Installation Procedure

WARNING

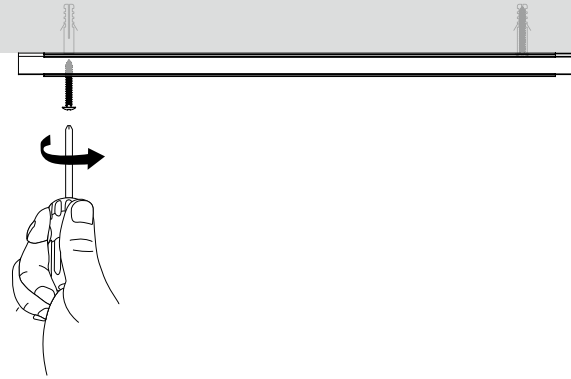
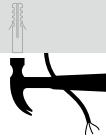
1. Switch off before installation.
2. Switch on only after complete installation and examination of the circuit.
3. Professional electrician for installation and maintenance only.



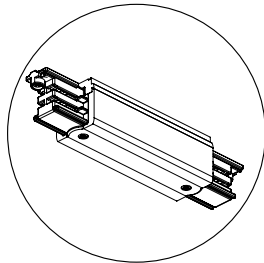
How to install ?



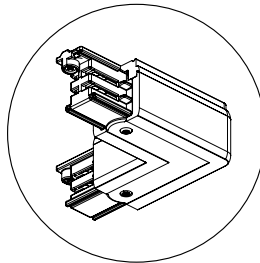
Installation for track



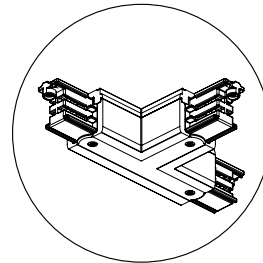
1 2



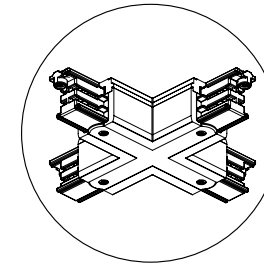
Straight "-"



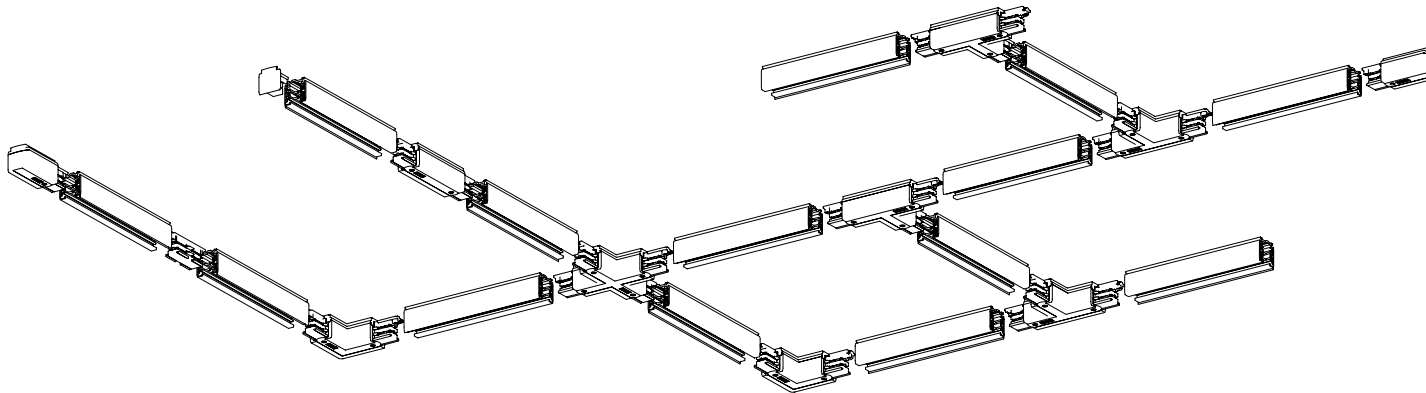
Corner "L"



"T" shape



Cross "+"



Note: Do not install in the place near heat source, or in corrosive gas environment.