

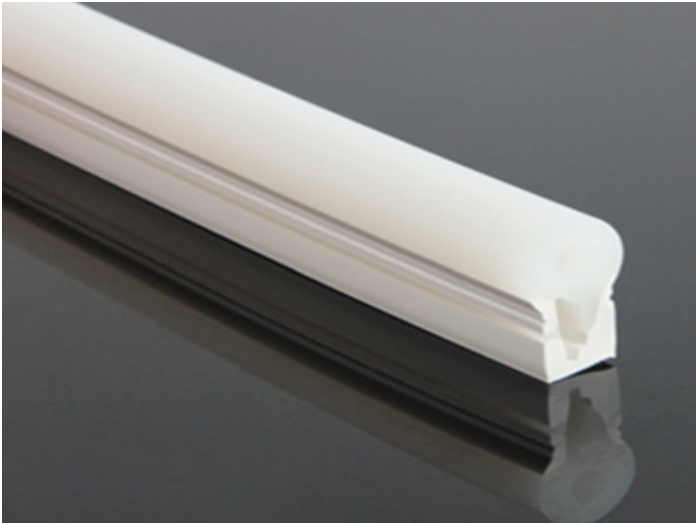
Light**FEEL**

LED NEON LIGHT SILICONE TUBE

10 YEARS EXPERIENCE IN LED LIGHTING
FULL SUPPORT SOLUTIONS



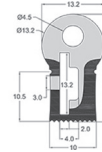
Light FEEL LED NEON LIGHT SILICONE TUBE



SL-N1023B

Specification

Material	: Silicone resin.
PCB width	: 10-12mm.
Beam Angle	: 180°
Minimum bend diameter	: 100mm.
Available Lengths	: 50m(5m/10m/20m are available).
IP Rating	: IP67



Accessories



Silicone end cap
N1023B-EC(without hole)

Silicone end cap
N1023B-EC-B(Cable Output
from Bottom)

Silicone end cap
N1023B-EC-L(Cable Output
from Left)

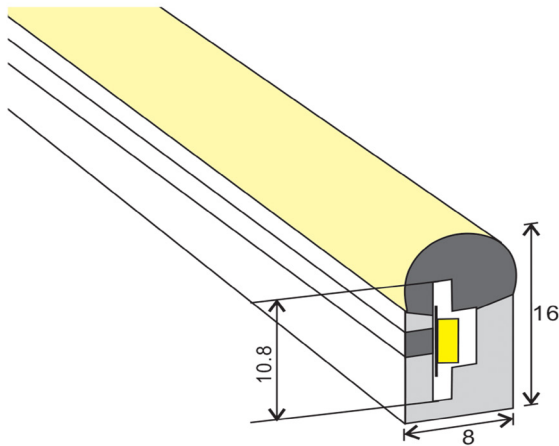
Silicone end cap
N1023B-EC-R(Cable Output
from Right)

Metal mounting clip
N1023B-AC

SL-N0816B

Specification

Material	: Silicone resin.
PCB width	: 8-10mm.
Beam Angle	: 150°
Minimum bend diameter	: 50mm.
Available Lengths	: 100m(5m/10m/20m/50m are available).
IP Rating	: IP67



Accessories



Silicone end cap
N1220B-EC(without hole)

Silicone end cap
N1220B-EC-B(Cable Output
from Bottom)

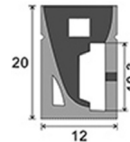
Silicone end cap
N1220B-EC-L(Cable Output
from Left)

LED NEON LIGHT SILICONE TUBE LightFEEL

SL-N1220B

Specification

Material	: Silicone resin.
PCB width	: 8-10mm.
Beam Angle	: 120°
Minimum bend diameter	: 100mm.
Available Lengths	: 50m(5m/10m/20m are available).
IP Rating	: IP67



Accessories



Silicone end cap
N1220B-EC(without hole)

Silicone end cap
N1220B-EC-B(Cable Output
from Bottom)

Silicone end cap
N1220B-EC-L(Cable Output
from Left)

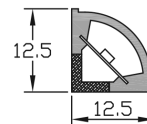
Silicone end cap
N1220B-EC-R(Cable Output
from Right)

Metal mounting clip
N1220B-AC

SL-NF1212 LED Neon Light (Silicone Resin)

Specification

Material	: Silicone resin.
PCB width	: 8-10mm.
Beam Angle	: 110°
Minimum bend diameter	: 100mm.
Available Lengths	: 100m(5m/10m/20m/30m per reel are available).
IP Rating	: IP67
Operating temperature	: -2°~50°C



Accessories



Silicone end cap
N1212-EC(without hole)

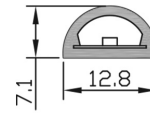
PC Cover x1
Transparent
Milky
Frosted

SL-N1207-2110 LED Neon Light (Silicone Resin)



Specification

Material	: Silicone resin.
PCB width	: 8-10mm.
Beam Angle	: 160°
Minimum bend diameter	: 100mm.
Available Lengths	: 100m(5m/10m/20m/30m per reel are available).
IP Rating	: IP67
Operating temperature	: -20°~50°C



Accessories



Silicone end cap
N1212-EC(without hole)



PC Cover x1
Transparent
Milky
Frosted